

# Specification sheet

## CF 230

FA 4X2 Rigid



INTERNATIONAL TRUCK OF THE YEAR 2018



### ENGINES

- CF 230 PX-7 (172 kW / 234 hp)
- CF 260 PX-7 (194 kW / 264 hp)
- CF 290 PX-7 (217 kW / 295 hp)
- CF 320 PX-7 (239 kW / 325 hp)

### GVM<sup>1)</sup>

- 18000 kg
- Max. front 7500 kg
- Max. rear 11500 kg

### GCM<sup>2)</sup>

- 22500 kg

016F6606AAAA - 201813c - 22-12-2017

DAF Trucks Ltd, Thame, Oxon. OX9 3FB, www.daf.co.uk

## CAB EXTERIOR

Day Cab with galvanized steel bumper, tinted glass and electric window openers. Main mirrors and wide angle mirrors electrically heated. Cab width 2300 mm.; Electrically adjustable mirrors; Front view mirror.

### Optional

<b>02106</b> Sleeper Cab	<b>09983</b> Fog lights
<b>01137</b> Space Cab	<b>09984</b> Fog lights and cornering lights
<b>01226</b> Cab suspension air	<b>06593</b> Skylights

## AERODYNAMICS

### Optional

<b>04906</b> Side collars
---------------------------

## COLOURS

Cab colour H3279 Brilliant White; Head lamp panel and bumper: Brilliant White; Chassis colour grey..

### Optional

<b>06485</b> Head lamp panel and bumper: cab colour	<b>04198</b> Mirror covers in cab colour
<b>09933</b> Head lamp panel and bumper: Stone Grey	<b>16153</b> Cab and chassis colours
<b>06442</b> Mirror covers grey	

## CAB INTERIOR

Driver seat: Comfort Air; Co-driver seat: basic; Automatic Temperature Control and airco; Roof hatch glass, manual control; Pollen filter.

### Optional

<b>09271</b> Steering wheel, leather, colour black	<b>02117</b> Third seat
<b>07240</b> Steering wheel, leather, Exclusive	<b>06539</b> Refrigerator

## COMMUNICATION AND DRIVING MANAGEMENT

Tachograph digital, Stoneridge; Speed limiter setting 85 km/h absolute; Antennas: AM/FM, 2x GSM, GPS; Adaptive Cruise Control with FCW and AEBS.

### Optional

<b>16155</b> Audio equipment, makes and types	<b>09908</b> Cruise control
<b>07261</b> TruckPhone	

## SAFETY AND SECURITY

Lane Departure Warning System; Vehicle Stability Control (VSC); Basic engine immobiliser system.

### Optional

<b>01725</b> Reverse warning	<b>16156</b> EC-ADR packages
------------------------------	------------------------------

## SUSPENSION AND AXLES

Front: 7.50 t, parabolic, 152N; Rear: 11.50 t, air suspension, SR1132.

### Optional

<b>01800</b> Rear axle SR1344	<b>01603</b> Rear springs parabolic
<b>01778</b> Rear axle load 13.00 t	<b>03345</b> Rear springs parabolic, short

## WHEELS AND TYRES

Front axle 1: 315/70R22.5; Rear axle 1: 315/70R22.5; Disc wheels steel, silvergrey; Wheel protection rings silvergrey.

### Optional

<b>16152</b> Tyre makes and types
-----------------------------------

## DRIVELINE

Engine PX-7, 6 cylinder diesel engine, 6.7 litres. Output 172 kW (234 hp) at 2300 rpm. Max. torque 900 Nm at 1000-1700 rpm.; Exhaust emission Euro 6; Engine idle shutdown, 5 minutes; Manual gearbox, 6 speeds; Gearbox ratio 6.75-0.78; Rear axle ratio 4.56.

### Optional

<b>04393</b> Manual gearbox, 9 speeds	<b>09888</b> Automatic gearbox, 5 speeds
<b>08834</b> AS Tronic gearbox, 6 speeds	<b>02843</b> Mechanical differential lock
<b>04500</b> AS Tronic gearbox, 12 speeds	

## CHASSIS

Wheelbase 4.15 m / rear overhang 1.85 m; Side member height 270 mm; Standard component location; Plastic fuel tank 200 l; Spray suppression; Front underrun protection (FUP); AdBlue tank 25 litres, right side chassis.

### Optional

<b>16157</b> Fuel tanks, material and sizes	<b>07071</b> Spare wheel carrier right-hand side
---------------------------------------------	--------------------------------------------------

## DRAWBAR AND TRAILER EQUIPMENT

Closing member.

### Optional

<b>03048</b> D-value cross member D=7.5	<b>01948</b> D-value cross member D=10
-----------------------------------------	----------------------------------------

## BODIES AND PREPARATIONS FOR BODYING

Application connector on the cab front.

### Optional

<b>06692</b> Application connector on the chassis	<b>02597</b> Application connector for tail lift control
---------------------------------------------------	----------------------------------------------------------

## POWER TAKE-OFF (PTO)

### Optional

<b>16148</b> PTO types and positions
--------------------------------------

## ELECTRICAL POWER SUPPLY

Alternator 80 A, batteries 2x 125 Ah..

### Optional

<b>01897</b> Alternator 100 A	<b>08797</b> Batteries 2x175Ah
-------------------------------	--------------------------------

## GVM AND GCM

Chassis weight related technical GVM max 19000 kg; Driveline related max GCM 22500 kg.

### Optional

<b>00043</b> Driveline related max GCM 19000 kg	<b>00620</b> Driveline related max GCM 28000 kg
<b>02658</b> Driveline related max GCM 26000 kg	<b>03027</b> Driveline related max GCM 32000 kg class 3

## APPLICATION CONDITIONS

Moisture separator, unheated; Air intake on the cab roof.

### Optional

**02270** Cold climate                      **04987** Radiator flyscreen

**09961** Cyclonic air intake behind  
the cab

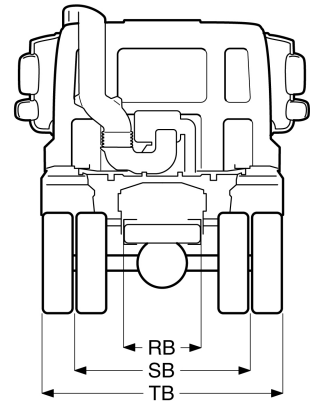
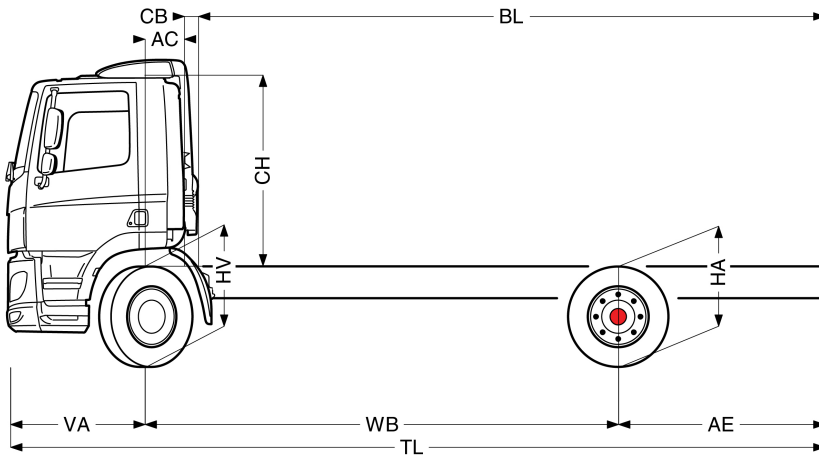
## SERVICE AND MAINTENANCE

Warranty Plus - 2 Year Vehicle & 3 Year Driveline - takes care of all warrantable repairs on the vehicle for two years and on the driveline for a third year together with associated breakdown coverage.; DAF 2 year Preventive Maintenance Package - 320k.

Go to [DAF.com](http://DAF.com) to configure your own perfect DAF.

# CF 230

## FA 4X2 Rigid



	Wheelbase - AE		Unladen weight <sup>9)</sup>			Gross Carrying Capacity			Variable dimensions							
	WB	AE <sup>6)</sup>	Front	Rear	Total	Front	Rear	Total	AC	CB <sup>6)</sup>	CH <sup>7)</sup>	BL <sup>8)</sup>	BL	TL	HA <sup>9)</sup>	HA <sup>10)</sup>
DAY CAB	4.00	1.70	3776	1839	5615	3724	9661	12385	0.39	0.18	1.98	4.45	5.10	7.09	0.98	0.96
	4.15	1.85	3780	1850	5630	3720	9650	12370	0.39	0.18	1.98	4.66	5.33	7.37	0.98	0.96
	4.45	2.00	3799	1868	5667	3701	9632	12333	0.39	0.18	1.98	5.09	5.81	7.82	0.98	0.96
	4.75	2.00	3816	1866	5683	3684	9634	12317	0.39	0.18	1.98	5.52	6.29	8.28	0.98	0.96
	4.90	2.15	3782	1840	5622	3718	9660	12378	0.39	0.18	1.98	5.72	6.51	8.50	0.98	0.96
	5.10	2.75	3818	1937	5755	3682	9563	12245	0.39	0.18	1.98	5.99	6.83	9.22	0.98	0.96
	5.40	2.95	3826	1952	5779	3674	9548	12221	0.39	0.18	1.98	6.41	7.30	9.72	0.98	0.96
	5.70	3.15	3815	1975	5791	3685	9525	12209	0.39	0.18	1.98	6.82	7.75	10.22	0.98	0.96
	6.10	2.80	3898	1985	5884	3602	9515	12116	0.39	0.18	1.98	7.43	8.44	10.44	0.98	0.96
	6.60	3.20	3924	2044	5968	3576	9456	12032	0.39	0.18	1.98	8.14	9.23	11.24	0.98	0.96
6.90	3.70	3857	2037	5894	3643	9463	12106	0.39	0.18	1.98	8.51	9.65	11.97	0.98	0.96	
7.30	3.30	3962	2072	6034	3538	9428	11966	0.39	0.18	1.98	9.14	10.06	12.00	0.98	0.96	
SLEEPER CAB	4.00	1.70	3824	1843	5667	3676	9657	12333	0.82	0.16	1.98	3.66	4.30	7.07	0.98	0.96
	4.15	1.85	3828	1853	5682	3672	9647	12318	0.82	0.16	1.98	3.87	4.54	7.37	0.98	0.96
	4.45	2.00	3848	1871	5719	3652	9629	12281	0.82	0.16	1.98	4.29	5.02	7.82	0.98	0.96
	4.75	2.00	3866	1869	5735	3634	9631	12265	0.82	0.16	1.98	4.73	5.50	8.12	0.98	0.96
	4.90	2.15	3832	1842	5674	3668	9658	12326	0.82	0.16	1.98	4.92	5.72	8.42	0.98	0.96
	5.10	2.75	3868	1938	5807	3632	9562	12193	0.82	0.16	1.98	5.20	6.04	9.22	0.98	0.96
	5.40	2.95	3878	1953	5831	3622	9547	12169	0.82	0.16	1.98	5.63	6.51	9.72	0.98	0.96
	5.70	3.15	3867	1976	5843	3633	9524	12157	0.82	0.16	1.98	6.03	6.97	10.22	0.98	0.96
	6.10	2.80	3950	1986	5936	3550	9514	12064	0.82	0.16	1.98	6.65	7.66	10.27	0.98	0.96
	6.60	3.20	3977	2044	6021	3523	9456	11979	0.82	0.16	1.98	7.36	8.46	11.17	0.98	0.96
6.90	3.70	3910	2036	5946	3590	9464	12054	0.82	0.16	1.98	7.73	8.88	11.97	0.98	0.96	
7.30	3.30	4015	2071	6086	3485	9429	11914	0.82	0.16	1.98	8.37	9.59	12.00	0.98	0.96	
SPACE CAB	4.00	1.70	3937	1843	5780	3563	9657	12220	0.82	0.16	2.66	3.71	4.36	7.07	0.98	0.96
	4.15	1.85	3941	1853	5795	3559	9647	12205	0.82	0.16	2.66	3.92	4.60	7.37	0.98	0.96
	4.45	2.00	3961	1871	5832	3539	9629	12168	0.82	0.16	2.66	4.35	5.08	7.82	0.98	0.96
	4.75	2.00	3979	1869	5848	3521	9631	12152	0.82	0.16	2.66	4.79	5.57	8.12	0.98	0.96
	4.90	2.15	3945	1843	5787	3555	9657	12213	0.82	0.16	2.66	4.99	5.79	8.42	0.98	0.96
	5.10	2.75	3981	1939	5920	3519	9561	12080	0.82	0.16	2.66	5.27	6.11	9.22	0.98	0.96
	5.40	2.95	3990	1953	5944	3510	9547	12056	0.82	0.16	2.66	5.70	6.59	9.72	0.98	0.96
	5.70	3.15	3980	1976	5956	3520	9524	12044	0.82	0.16	2.66	6.11	7.05	10.22	0.98	0.96
	6.10	2.80	4063	1986	6049	3437	9514	11951	0.82	0.16	2.66	6.73	7.75	10.27	0.98	0.96
	6.60	3.20	4089	2044	6134	3411	9456	11866	0.82	0.16	2.66	7.45	8.56	11.17	0.98	0.96
6.90	3.70	4023	2036	6059	3477	9464	11941	0.82	0.16	2.66	7.82	8.98	11.97	0.98	0.96	
7.30	3.30	4128	2071	6199	3372	9429	11801	0.82	0.16	2.66	8.47	9.65	12.00	0.98	0.96	

OTHER DIMENSIONS VA: 1.37 HV<sup>11)</sup>: 0.99 HV<sup>12)</sup>: 0.92 RB: 0.79 SB: 1.83 TB<sup>13)</sup>: 2.55

- GVM in conformity with registration documents.
- GCM in conformity with registration documents.
- Axle load with standard tyre size.
- Chassis and cab weight calculated with: Standard specification items only with 90 litres of fuel, 90 litres of AdBlue and driver of 90 kg, tolerance  $\pm 3\%$ . Changing of the specification can have major impact on vehicle weight.
- Other AE dimensions may be available for shown WB. Modify rear overhang to the calculated body length.
- CB is based on standard air intake and/or exhaust.

- Cab height is measured from frame member to closed cab roof hatch. With air intake on cab roof add: 0.14 m (for MX-11); add 0.21 m for MX-13.
- Calculate customer specific body length with TOPEC. Body lengths shown based on evenly distributed load at max axle load.
- Unladen height at centre of driven axle(s).
- Laden height at centre of driven axle(s).
- Unladen height at centre of front axle(s).
- Laden height at centre of front axle(s).
- TB is overall width at rear. (At centre of front axle 255).

Depending on the vehicle configuration a specific option may not be possible. The availability and specification of this vehicle may differ per country. For further information please contact the DAF organisation. Pictures and technical illustrations are not binding in detail and can differ from the standard specification. Subject to modification without prior notice.