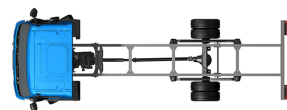


Specification sheet

LF 150

FA 4X2 Rigid, 08t City



ENGINES

LF 150 PX-4 (115 kW / 156 hp)

LF 170 PX-4 (127 kW / 172 hp)

GVM¹⁾

7500 kg

GCM²⁾

7500 kg

Max. front 3600 kg

Max. rear 5000 kg

016F2602AAAA - 201813c - 22-12-2017

DAF Trucks Ltd, Thame, Oxon. OX9 3FB, www.daf.co.uk

CAB EXTERIOR

Day Cab with steel bumper, tinted glass and electric window openers. Main mirrors and wide angle mirrors electrically heated. Cab width 2130 mm.; Electrically adjustable mirrors; Mirror brackets, body 2.50-2.60 m; Front view mirror.

Optional

00980 External sun visor smoke translucent	03605 Mirror brackets, body 2.10-2.29 m
07343 Kerb view window co-driver door	09282 Mirror brackets, body 2.30-2.40 m
00915 Side no glass / rear single glass	09283 Mirror brackets, body 2.40-2.50 m

AERODYNAMICS

Optional

09287 Side collars prepared	07112 Side collars long (set)
04906 Side collars	07093 Side collars short (set)

COLOURS

; Head lamp panel and bumper: Stone Grey; Cab steps and wing Stone Grey; Chassis colour grey..

Optional

06485 Head lamp panel and bumper: cab colour	16153 Cab and chassis colours
01109 Cab steps and wing in cab colour	

CAB INTERIOR

Right-hand drive (RHD); Mechanically adjustable steering column; Driver seat: air suspended; Co-driver seat: fixed velour; Storage box on engine tunnel.

Optional

01846 Left-hand drive (LHD)	00072 Dual mate seat, velour
09271 Steering wheel, leather, colour black	02600 Co-driver seat: air suspended
03516 Pneumatically adjustable steering column	09106 Dual mate seat, luxury version
06012 Co-driver seat: fixed vinyl	00967 Seat belts red
03376 Dual mate seat, vinyl	02213 Air conditioning

COMMUNICATION AND DRIVING MANAGEMENT

FMS connector prepared; Tachograph digital, Stoneridge; Scale speedometer m/h + km/h; Cruise control.

Optional

02549 Scale speedometer km/h	07261 TruckPhone
01936 Scale speedometer km/h + m/h	08891 Adaptive Cruise Control with FCW and AEBS
16155 Audio equipment, makes and types	

SAFETY AND SECURITY

Vehicle Stability Control (VSC); Basic engine immobiliser system.

Optional

08631 Air bag (driver) and 2 seat belt tensioners	06637 Immobiliser 15 minutes and alarm (Thatcham H1)
01725 Reverse warning	16156 EC-ADR packages
06636 Immobiliser 15 minutes (Thatcham H2)	

SUSPENSION AND AXLES

Front: 3.60 t, parabolic, F36; Rear: 5.00 t, parabolic, SR5.10.

Optional

07368 Front springs parabolic, Heavy Duty	08031 Rear springs parabolic, Heavy Duty
01372 Rear springs air	

WHEELS AND TYRES

Front axle 1: 215/75R17.5; Rear axle 1: 215/75R17.5; Goodyear; Wheel protection rings silvergrey.

Optional

06764 Wheel protection rings black	16152 Tyre makes and types
-------------------------------------------	-----------------------------------

DRIVELINE

Engine PX-4, 4 cylinder diesel engine, 3.8 litres. Output 115 kW (156 hp) at 2600 rpm. Max. torque 500 Nm at 1200-1900 rpm.; Exhaust emission Euro 6; Manual gearbox, 5 speeds; Gearbox ratio 5.76-0.77; Rear axle ratio 3.73.

Optional

07383 Engine PX-4, 127 kW/172 hp. Cab Badge: 170

BRAKE SYSTEM

Exhaust brake.

CHASSIS

Wheelbase 4.30 m / rear overhang 2.32 m; Side member height 210 mm; DPF/SCR unit right, discharge right rearward; Plastic fuel tank 110 l; Spray suppression; AdBlue tank 25 litres, right side chassis.

Optional

02001 Plastic fuel tank 155 l	07071 Spare wheel carrier right-hand side
02124 Plastic fuel tank 185 l	
02011 Spare wheel carrier in rear overhang	03323 Rear light unit with LEDs

DRAWBAR AND TRAILER EQUIPMENT

Closing member.

BODIES AND PREPARATIONS FOR BODYING

Application connector on the chassis.

Optional

02597 Application connector for tail lift control	07488 Body attachment BAM 3, loose consoles supply
07487 Body attachment BAM 1, loose consoles supply	01503 Side marker lights

ELECTRICAL POWER SUPPLY

Alternator 80 A, batteries 2x 125 Ah..

Optional

01897 Alternator 100 A	08797 Batteries 2x175Ah
-------------------------------	--------------------------------

GVM AND GCM

Chassis weight related technical GVM max 7500 kg; Driveline related technical GCM equal to GVM.

APPLICATION CONDITIONS

Moisture separator, unheated; Air intake low.

Optional

04767 Moisture separator, heated

04987 Radiator flyscreen

09960 Air intake on the cab roof

SERVICE AND MAINTENANCE

Standard Warranty takes care of 1 year complete vehicle, 2nd year driveline and 1st year breakdown.; DAF 1 Year Maintenance Package - takes care of all necessary planned maintenance requirements, safety and legal inspections excluding tachograph recalibration, MOT preparation, presentation and fees. To a maximum mileage of 160,000 km..

VEHICLE DELIVERY

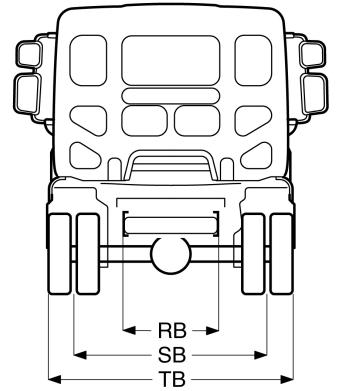
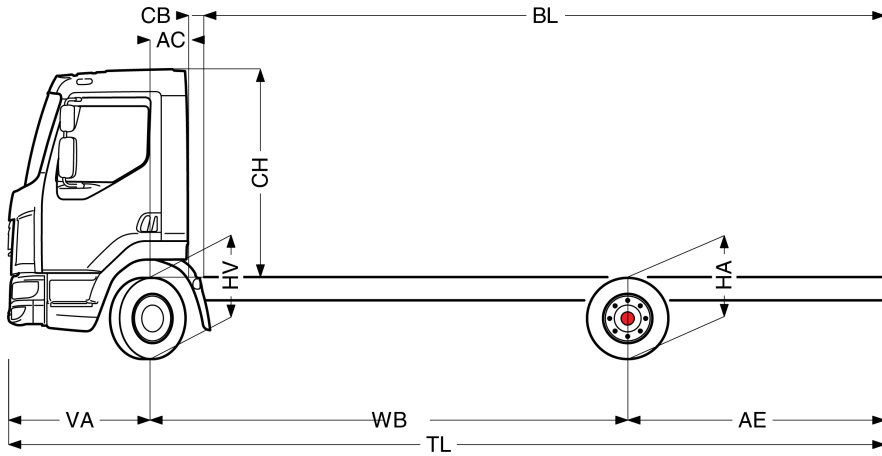
Standard toolkit.



Go to [DAF.com](https://www.daf.com) to configure your own perfect DAF.

LF 150

FA 4X2 Rigid, 08t City



	Wheelbase - AE		Unladen weight ⁹⁾			Gross Carrying Capacity			Variable dimensions							
	WB	AE ⁸⁾	Front	Rear	Total	Front	Rear	Total	AC	CB ⁶⁾	CH ⁷⁾	BL ⁸⁾	BL	TL	HA ⁹⁾	HA ¹⁰⁾
DAY CAB	3.05	1.80	2411	877	3288	1189	4123	4212	0.33	0.12	1.84	3.48	5.07	6.13	0.89	0.79
	3.15	1.62	2419	864	3283	1181	4136	4217	0.33	0.12	1.84	3.64	5.28	6.11	0.89	0.79
	3.55	1.87	2435	886	3321	1165	4114	4179	0.33	0.12	1.84	4.22	6.09	6.79	0.89	0.79
	3.90	2.12	2442	897	3339	1158	4103	4161	0.33	0.12	1.84	4.73	6.79	7.38	0.89	0.79
	4.30	2.32	2452	909	3360	1148	4091	4140	0.33	0.12	1.84	5.31	7.55	8.06	0.89	0.79
	4.65	2.65	2458	929	3387	1142	4071	4113	0.33	0.12	1.84	5.82	7.55	8.65	0.89	0.79
	5.00	2.72	2470	937	3407	1130	4063	4093	0.33	0.12	1.84	6.34	7.55	9.26	0.89	0.79

OTHER DIMENSIONS	VA: 1.28	HV ¹¹⁾ : 0.78	HV ¹²⁾ : 0.74	RB: 0.86	SB: 1.74	TB: 2.55
------------------	----------	--------------------------	--------------------------	----------	----------	----------

- 1) GVM in conformity with registration documents.
- 2) GCM in conformity with registration documents.
- 3) Axle load with standard tyre size.
- 4) Chassis and cab weight calculated with: Standard specification items only with 90 litres of fuel, 90 litres of AdBlue and driver of 90 kg, tolerance $\pm 3\%$. Changing of the specification can have major impact on vehicle weight.
- 5) Other AE dimensions may be available for shown WB. Modify rear overhang to the calculated body length.
- 6) CB is based on standard air intake and/or exhaust.

- 7) Cab height is measured from frame member to closed cabin roof hatch.
- 8) Calculate customer specific body length with TOPEC. Body lengths shown based on evenly distributed load at max axle load.
- 9) Unladen height at centre of driven axle(s).
- 10) Laden height at centre of driven axle(s).
- 11) Unladen height at centre of front axle(s).
- 12) Laden height at centre of front axle(s).

Depending on the vehicle configuration a specific option may not be possible. The availability and specification of this vehicle may differ per country. For further information please contact the DAF organisation. Pictures and technical illustrations are not binding in detail and can differ from the standard specification. Subject to modification without prior notice.